

HAKKO FV-310

HEATING GUN

Powerful & Fine

The new heating gun with stepless control for the maximum temperature increased by 80°C and maximum airflow increased by 25% from the conventional models.

80 to 530 °C
Temperature range

0.15 to 0.25 m³/min.
Airflow range

Anti-slip rubbers on the back improve stability and safety.

High performance and long life heating element

Use of ceramic insulator for greater heat storage and heating performance

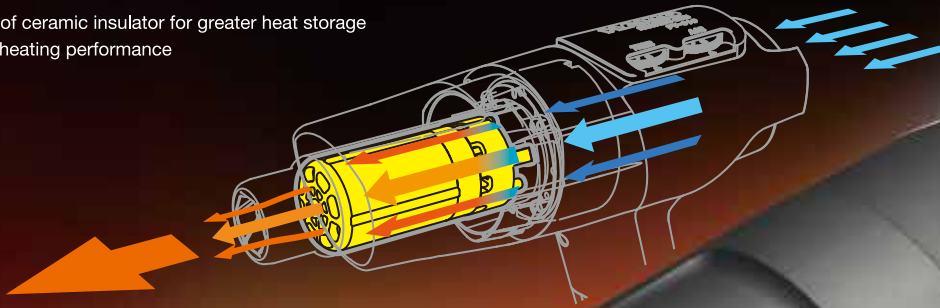


Image photo



Temperature control knob
Air flow control knob

Stepless control on temperature and airflow for optimal settings

Temperature distribution chart

* The temperature and airflow volume are reference values; these values are not guaranteed.

Types of applications

A	Drying painting and putty
B	Peeling sticker
C	Shrinking
D	Heat shrink tubing
E	Curving plastic material

Air flow control knob (AIR)	Temperature control knob (TEMP.)				
	1	2	3	4	5
1 (0.15 m³/min.)	120 °C	175 °C	295 °C	425 °C	530 °C
2 (0.17 m³/min.)	110 °C	165 °C	270 °C	390 °C	505 °C
3 (0.2 m³/min.)	100 °C	145 °C	230 °C	320 °C	425 °C
4 (0.23 m³/min.)	90 °C	130 °C	205 °C	285 °C	380 °C
5 (0.25 m³/min.)	85 °C	115 °C	190 °C	270 °C	345 °C

Optional parts

N70-01

Spatula type nozzle 20 mm
* Use this nozzle on the nozzle holder (N70-05).



N70-02

Spatula type nozzle 62 mm



N70-03

Hook type nozzle 20 mm



N70-04

Hook type nozzle 40 mm



N70-05

Nozzle holder



N70-06

Single nozzle 12 mm
* Use this nozzle on the nozzle holder (N70-05).



N70-07

V type nozzle for 4 mm welding rod
* Use this nozzle on the nozzle holder (N70-05).



A1115

Roller



B5166

Stand



YouTube



For further details, please scan here.

Use of stand secures stability for hands-free application.



<With the stand>

<Without the stand>

Drying painting and putty

Getting wrinkles out of film

Peeling sticker

Shrinking



Heat shrink tubing

Curving plastic material

Welding floor coverings

Welding PVC sheet



Replacement part

Easy replacement of heating element

It requires only a screwdriver to replace heating element.

Heating element



Part No.	Part Name
A5040	Heating element 110 V
A5041	Heating element 220 V
A5043	Heating element 230 V
A5042	Heating element 240 V



Packing list



Unit, Instruction manual

Specifications

Model No.	FV-310
Power consumption	1000 W
Maximum temperature*	530°C (80 to 530°C continuously variable)
Air velocity	600 m/min.
Air flow	0.15 to 0.25 m³/min.
Dimensions**	240 (W) x 190 (H) x 70 (D) mm
Weight**	0.6 kg

* Measured at the point 10 mm from the pipe

** Without cord

CA00494QbYa004 2018.10

HAKKO
HAKKO CORPORATION
OVERSEAS AFFILIATES

U.S.A.
AMERICAN HAKKO PRODUCTS, INC.
28920 AVENUE WILLIAMS VALENCIA, CA 91355, U.S.A.
TEL: (661) 294-0090 FAX: (661) 294-0096
Toll Free (800)88-HAKKO
http://www.hakkousa.com

HEAD OFFICE

4-5, SHIOKUSA 2-CHOME, NANIWA-KU, OSAKA, 556-0024 JAPAN
TEL:+81-6-6561-3225 FAX:+81-6-6561-8466
http://www.hakko.com E-mail:sales@hakko.com

HONG KONG
HAKKO DEVELOPMENT CO., LTD.
ROOM 1504, EASTERN HARBOUR CENTRE,
28 HOI CHAK STREET, QUARRY BAY, HONG KONG.
TEL: 2811-5588 FAX: 2590-0217
http://www.hakko.com.hk
E-mail:info@hakko.com.hk

SINGAPORE
HAKKO PRODUCTS PTE LTD
1, GENTING LINK #02-04
PERFECT ONE, SINGAPORE 349518
TEL: 6748-2277 FAX: 6744-0033
http://www.hakko.com.sg
E-mail:sales@hakko.com.sg

Please access to the following for the other sales affiliates and distributors.
<http://www.hakko.com>