

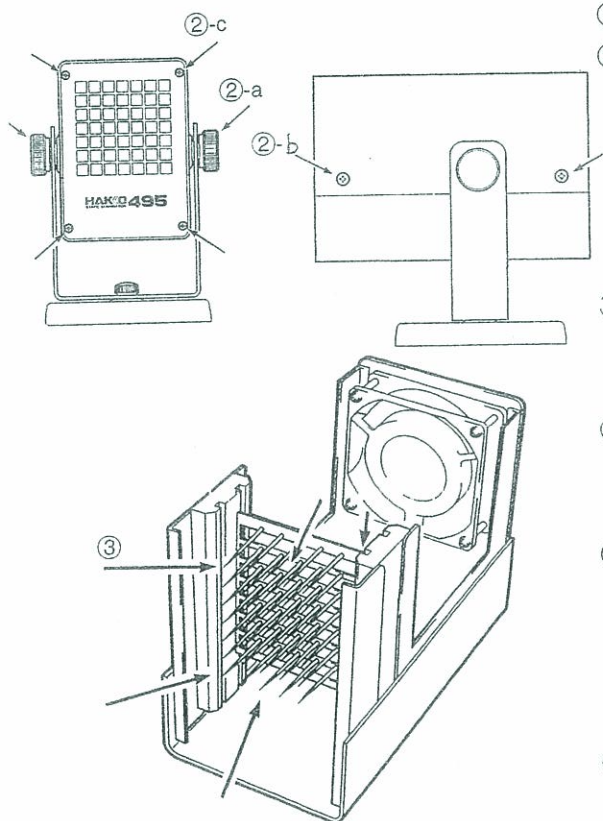
Maintenance & Daily Inspection For HAKKO 495 STATIC ELIMINATOR

⚠ WARNING

The HAKKO 495 is a high voltage device which requires regular maintenance and daily inspection to ensure proper performance. Failure to do so may result in an accumulation of dust that can affect the unit's insulating capacity, which may produce smoke or fire.

1. Maintenance

Since the cause of most dramatic decreases in de-ionization performance is an accumulation of dust or foreign material on the needle electrode (inside the unit), the needle electrode should be cleaned every one to three months, depending on the frequency and conditions of use.



- ① Unplug the power cord from the electrical outlet.
- ② Disassemble the unit.
 - a) Loosen the two (2) knobs which secure the unit to the stand.
 - b) Holding the chassis in your hand, remove the four (4) screws securing the cover and remove the unit.
 - c) Remove the four (4) screws securing the front panel and remove the panel.
- ③ Using a soft brush (such as a toothbrush) carefully polish the tip of the needle electrode and the needle holder. Or dust can be removed with an air blower.
- ④ ⚠ WARNING; If the surface of the needle holder is discolored or burned, do not attempt further use of the unit.
- ⑤ Reassemble the unit by following the disassemble steps in reverse order.

⚠ WARNING; Do not turn on the power while the cover and front panel are removed. Doing so may result in an electric shock.
- ⑥ Plug the power cord into an electrical outlet and turn the unit on. Confirm that the unit is operating properly.

* Should the unit malfunction or produce abnormal odors or sounds, contact the sales agent.

2. Daily Inspection

- At least once a day, check the unit for strange odors, smoke or unusual noises. If any abnormal condition is detected, immediately turn off the unit and unplug the cord from the electrical outlet.
- It is particularly important to inspect the unit daily when it is used in a completely automated or unsupervised environment.

NOTE; A defective insulated needle will first emit an abnormal odor. If a unit containing a defective needle is allowed to continue to operate, the unit will emit smoke and produce a loud sound from electrical discharges. Whenever a strange odor is detected, immediately stop using the unit and contact your nearest HAKKO sales agent.