

Instruction Manual

Thank you for purchasing this smoke absorber. Please read this manual before operation. Keep this manual readily accessible for reference. This smoke absorber is designed to remove noxious fumes generated during soldering. The unit is protected against electrostatic discharge (E.S.D.).

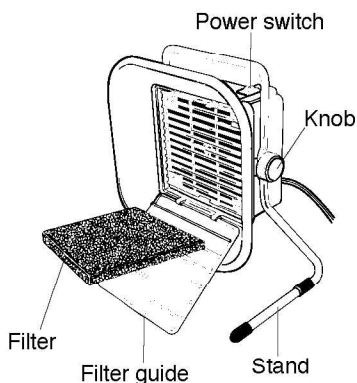
READ AND SAVE THESE INSTRUCTIONS

⚠ WARNING

- To reduce the risk of fire or electric shock, do not use this fan with any solid-state speed control device.
- Disconnect the power cord before servicing. Failure to do so may result in electric shock.

Operating Instructions & Part Name

- Open the filter guide, and install the activated carbon filter. Then close the filter guide.
- Loosen the knobs on both sides and adjust the angle of the unit.



Specifications

Model / Part No.	HAKKO 493 No.493-10
Power supply	AC120V, 60Hz
Power consumption	17W
Air volume (with filter)	0.93/1.07m ³ /minute
Outer dimensions	220(W) x 270(H) X 168(D)mm (8.7 x 10.6 x 6.6 in.)
Weight	1.5kg (3.3 lb.)
Accessories	Filter (3 pcs.)

● Activated-carbon filter

Size	130 x 130 x 10mm (5.1 x 5.1 x 0.4 in.)
Amount of activated-carbon per one filter	7g (0.02 lb.)
Max. absorbing weight of noxious components per one filter	2g (0.004 lb.)

* This product meets China RoHS requirements.

產品中有毒有害物質或元素的名稱及含量

部件名稱	有毒有害物質或元素					
	鉛(Pb)	汞(Hg)	鎘(Cd)	六價鉻 (Cr(VI))	多溴聯苯 (PBB)	多溴二苯醚 (PBDE)
風扇電機	×	○	○	○	○	○
插頭	×	○	○	○	○	○

○：表示該有毒有害物質在該部件所有均質材料中的含量均在SJ/T 11363-2006 標準規定的限量要求以下。
 ×：表示該有毒有害物質至少在該部件的某一均質材料中的含量超出 SJ/T 11363-2006 標準規定的限量要求。

注有「附帶BS插頭」之時，表示「插頭」為含有有害物質的部件。

Maintenance

- Replacing the filter

⚠ WARNING

Disconnect the power cord before replacing the filter to reduce the risk of electric shock or injury to persons.

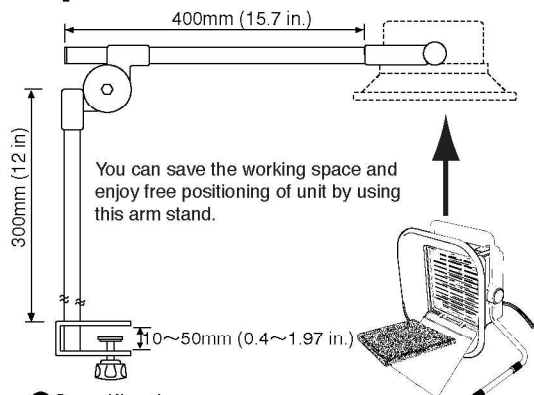
Under normal operating conditions, the filter should be replaced once a month since absorption capacity declines. The filter may also need replacement when the dust adhere. (Never allow the filter to become wet.)

Replacement Parts

Part No.	Part Name	Specifications
A1001	Filter set	Activated-carbon filter, set of 5

*Specifications and design are subject to change without notice.

Optional attachments



● Specifications

Part No.	C1023
Part Name	Arm stand
Weight	1.8Kg (3.97 lb.)



HAKKO CORPORATION

HEAD OFFICE

4-5, SHIOKUSA 2-CHOME, NANIWA-KU, OSAKA, 556-0024 JAPAN

TEL:+81-6-6561-3225 FAX:+81-6-6561-8466

<http://www.hakko.com>

AMERICAN HAKKO PRODUCTS, INC.

28920 N. AVENUE WILLIAMS VALENCIA CA 91355, U.S.A.

TEL: (661) 294-0090 FAX: (661) 294-0096

Toll Free (800)88-HAKKO www.hakkousa.com