

Instruction Manual

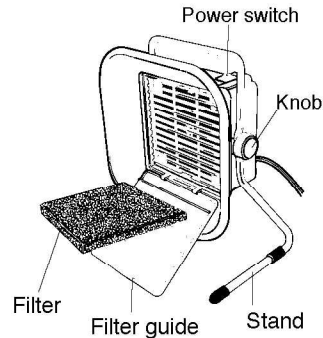
Thank you for purchasing the HAKKO 493 smoke absorber.

Please read this manual before operating the HAKKO 493.

Keep this manual readily accessible for reference. The HAKKO 493 is designed to remove noxious fumes generated during soldering.

Operating Instructions & Part Name

- Open the filter guide, and install the activated carbon filter. Then close the filter guide.
- Loosen the knobs on both sides and adjust the angle of the unit.



Maintenance

- Replacing the filter

Under normal operating conditions, the filter should be replaced once a month since absorption capacity declines. The filter may also need replacement when the dust adhere. (Never allow the filter to become wet.)

Replacement Parts

Part No.	Part Name	Specifications
A1001	Filter set	Activated-carbon filter, set of 5

*Specifications and design are subject to change without notice.

* This product meets China RoHS requirements.

產品中有毒有害物質或元素的名稱及含量

部件名稱	有毒有害物質或元素					
	鉛(Pb)	汞(Hg)	鎘(Cd)	六價鉻 (Cr(VI))	多環聯苯 (PBB)	多環二苯聯 (PBDE)
風扇電機	×	○	○	○	○	○
插頭	×	○	○	○	○	○

○ : 表示該有毒有害物質在該部件所有均質材料中的含量均在SJ/T 11363-2006 標準規定的限量要求以下。
 × : 表示該有毒有害物質至少在該部件的某一均質材料中的含量超出 SJ/T 11363-2006 標準規定的限量要求。

註有「附帶USB插頭」之時，表示「插頭」為含有有害物質的部件。



HAKKO CORPORATION

HEAD OFFICE

TEL: +81-6-6561-3225 FAX: +81-6-6561-8466

http://www.hakko.com E-mail:sales@hakko.com

OVERSEAS AFFILIATES

U.S.A.: AMERICAN HAKKO PRODUCTS, INC.

TEL: (661) 294-0090 FAX: (661) 294-0096

Toll Free (800)88-HAKKO

http://www.hakkousa.com

HONG KONG: HAKKO DEVELOPMENT CO., LTD.

TEL: 2811-5588 FAX: 2590-0217

http://www.hakko.com.hk

E-mail:info@hakko.com.hk

SINGAPORE: HAKKO PRODUCTS PTE., LTD.

TEL: 6748-2277 FAX: 6744-0033

http://www.hakko.com.sg

E-mail:sales@hakko.com.sg

Please access to the following address for the other Sales affiliates.

http://www.hakko.com

2007.5

MA00144JZ070507

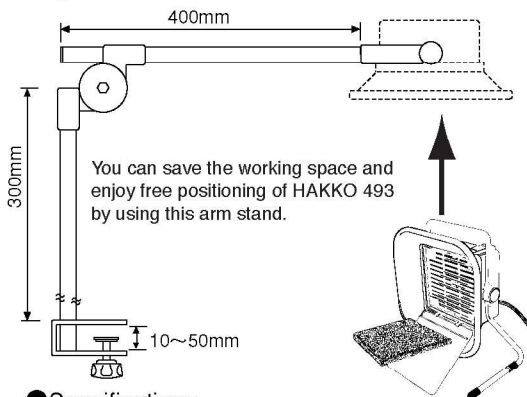
Specifications

Model Name	HAKKO 493 E.S.D.	
Frequency	50Hz	60Hz
Power consumption	16W	14W
Outer dimensions	220(W) x 270(H) X 168(D)mm	
Weight	1.5Kg	
Accessories	Filter (3 pcs)	

● Activated-carbon filter

Size	130 x 130 x 10mm
Amount of activated-carbon per one filter	7g
Max. absorbing weight of noxious components per one filter	2g

Optional attachments



● Specifications

Part No.	C1023
Part Name	Arm stand
Weight	1.8Kg